



SINCE 1974

Flameproof & Weatherproof Bulkhead Fixture

● Technical Data : LB 61201

ENCLOSURE :

Ex-d, GAS Gr. IIA, IIB & IIC AS PER IS/IEC 60079-1 & IS/IEC 60079-0

PROTECTION :

IP-65 AS PER IS/IEC 60529

AREA CLASSIFICATION :

ZONE-1, 2, 21 & 22

CERTIFICATION :

CIMFR/TC/SR/1475

MATERIAL OF CONSTRUCTION :

DIE CAST ALUMINUM ALLOY.

RATED VOLTAGE :

240V ±10V AC 50/60Hz
VOLTAGE OTHER THEN SPECIFIED IS ON REQUEST

RATING & TEMP. CLASSIFICATION :

AS PER TABLE

TRANSPARENT PART :

HEAT RESISTANT & TOUGHENED CLEAR FLAT GLASS

INTERNAL REFLECTOR :

MIRROR POLISHED

FINISH :

DARK ADMIRALTY GREY EPOXY POWDER COATED SHADE 632
AS PER IS:5

HARDWARE :

STAINLESS STEEL

EARTHING :

1 No. INSIDE & 2 Nos. OUTSIDE

CABLE ENTRY :

M20 x 2 Nos.

OPTIONAL ACCESSORIES AT EXTRA COST :

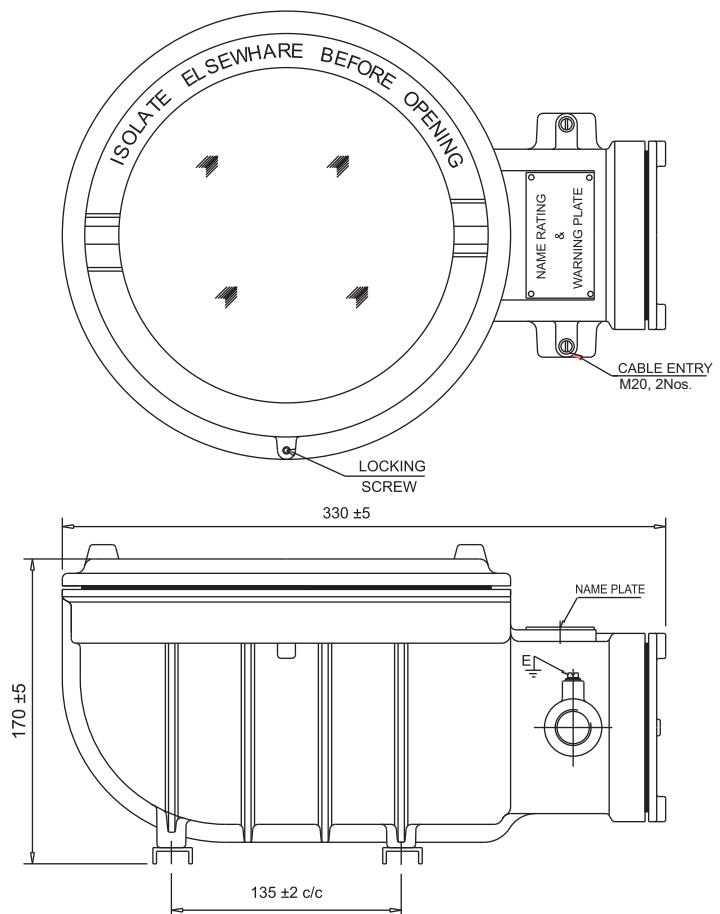
- 1) DOUBLE COMPRESSION CABLE GLAND/STOPPER (BNP/SS)
- 2) WIRE GUARD
- 3) PAINT SHADE AS PER CUSTOMER REQUIREMENT.
- 4) LAMP

SPECIAL FEATURES :

- A) SUPERIOR FINISH WITH EPOXY POWDER COATED
- B) MIRROR POLISHED INTERNAL REFLECTOR
- C) EASY TO REPLACE THE LAMP

NOTE:

- 1) MOC: STAINLESS STEEL / CAST IRON ON REQUEST



Sr. No.	RATING	TEMP CLASS	HOLDER	BALLAST
1	80W HPMV	T5	E-27	N.A.
2	125W HPMV	T4	E-27	N.A.
3	160W MLL	T3	E-27	N.A.
4	200W GLS AC/DC	T4	E-27	N.A.
5	100W GLS	T5	E-27	N.A.
6	70W HPSV	T6	E-27	N.A.
7	70W METAL HALIDE	T5	E-27	N.A.
8	150W METAL HALIDE	T3	E-27	N.A.
9	2x23W CFL	T6	E-27	SELF BALLAST
10	2x26W CFL	T6	Bi-PIN TYPE	2x26W