



SINCE 1974

# Flameproof & Weatherproof Bulkhead Lighting Fixture

## ● Technical Data : LB 31... Series

### ENCLOSURE :

Ex-d, GAS Gr. IIA & IIB AS PER IS/IEC 60079-1 & IS/IEC 60079-0

### PROTECTION :

IP-65 AS PER IS/IEC 60529

### AREA CLASSIFICATION :

ZONE-1, 2, 21 & 22

### CERTIFICATION :

CIMFR/TC/SR/H112

### MATERIAL OF CONSTRUCTION :

DIE CAST ALUMINUM ALLOY.

### RATED VOLTAGE :

240V  $\pm$  10V AC 50/60Hz  
VOLTAGE OTHER THEN SPECIFIED IS ON REQUEST

### RATING & TEMP. CLASSIFICATION :

AS PER TABLE

### COMPONENTS :

- 1) CONTROL GEAR (BALLAST, CAPACITOR, IGNITER)
- 2) LAMP HOLDER E-27 (BI-PIN TYPE FOR CFL LAMP)
- 3) 2 WAY TERMINAL BLOCK

### TRANSPARENT PART :

HEAT RESISTANT & TOUGHENED CLEAR FLAT GLASS

### INTERNAL REFLECTOR :

MIRROR POLISHED

### FINISH :

DARK ADMIRALTY GREY EPOXY POWDER COATED SHADE 632 AS PER IS:5

### EARTHING :

1 No. INSIDE & 2 Nos. OUTSIDE

### CABLE ENTRY :

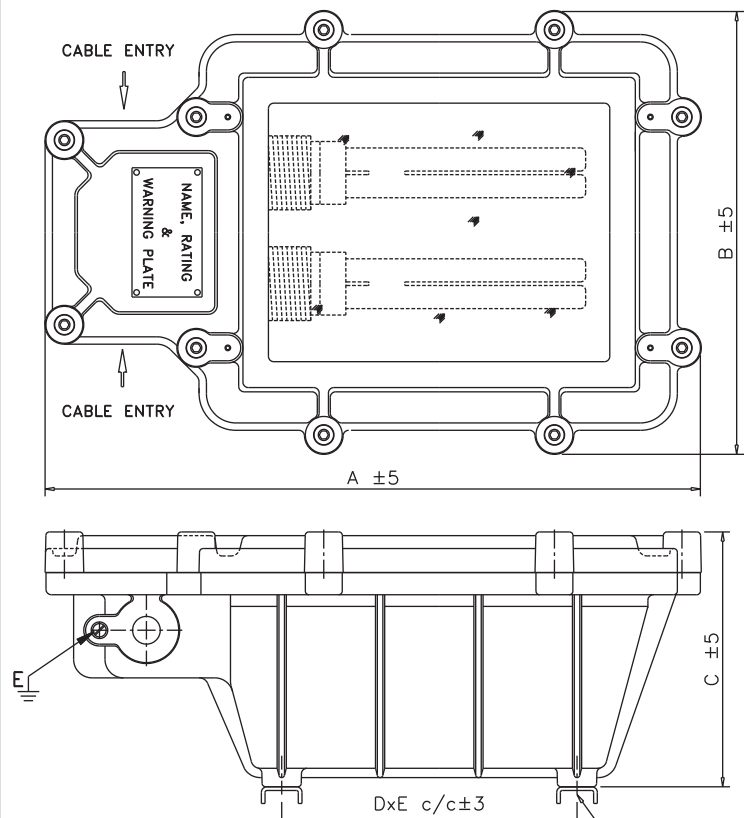
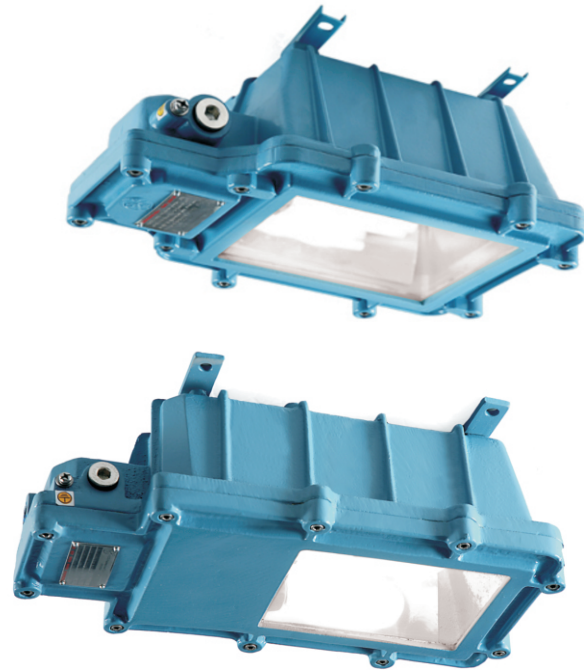
M20 x 2 Nos.

### OPTIONAL AT EXTRA COST :

- 1) DOUBLE COMPRESSION CABLE GLAND/STOPPER (BNP/SS)
- 2) CABLE ENTRY THREADS OTHER THAN M20

### SPECIAL FEATURES :

- A) SUPERIOR FINISH WITH EPOXY POWDER COATED
- B) MIRROR POLISHED INTERNAL REFLECTOR
- C) EASY TO REPLACE THE LAMP



SR. No.	LAMP RATING AT 250V AC / DC	FITURE TYPE	SURFACE TEMP. CLASS	DIMENSIONS				
				A $\pm$ 5	B $\pm$ 5	C $\pm$ 5	D $\pm$ 3	E $\pm$ 3
1	2 x 26W CFL	INTEGRAL	T6	355	240	145	160	160
2	2 x 23W CFL	SELF BALLAST	T6					
3	160W MLL	NON INTEGRAL	T4					
4	200W GLS	NON INTEGRAL	T3					
5	80W HPMV	INTEGRAL	T6	450	240	145	255	160
6	125W HPMV	INTEGRAL	T3					
7	70W MH	INTEGRAL	T3					
8	70W HPSV	INTEGRAL	T3					

11x13, 2 Nos  
FOR MOUNTING