



SINCE 1974

Flameproof & Weatherproof Multiway Junction Box

● Technical Data :

PROTECTION :

IP-66 AS PER IS/IEC 60529

CERTIFICATION :

AS PER TABLE No.1

TERMINALS :

AS PER TABLE No.3

CABLE ENTRY :

AS PER TABLE No.2

NOTE :

- 1) THESE ENCLOSURE IS AVAILABLE WITH HINGE ARRANGEMENT ON REQUEST.
- 2) THESE ENCLOSURE IS ALSO AVAILABLE WITH SPIGOTTED COVER ON REQUEST.

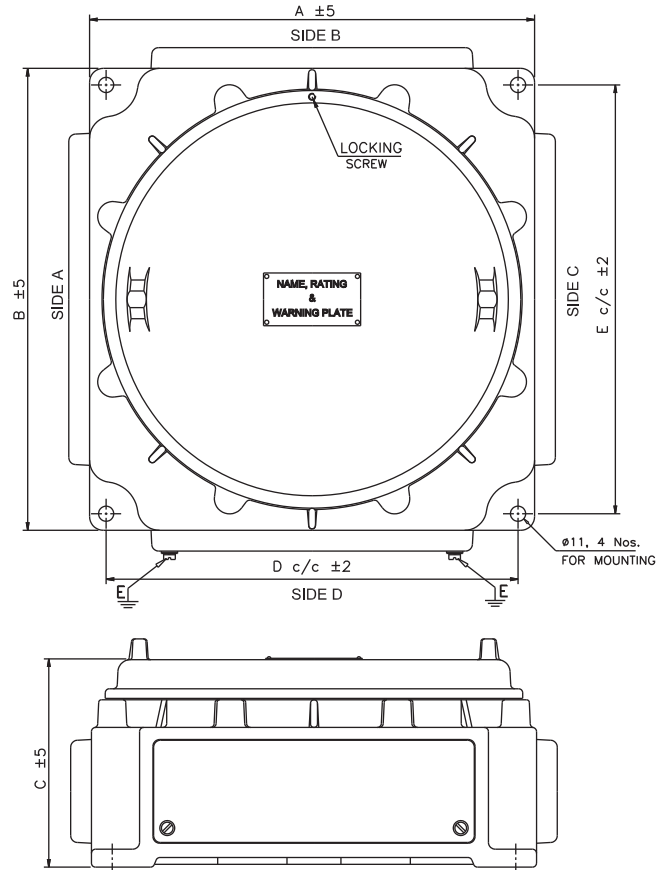


Table 1

Sr. No.	TYPE No .	CERTIFICATION	DIMENSIONS				
			A ±5	B ±5	C ±5	D ±3	E ±3
01	SC 313260	CIMFR/TC/SR/1606	270	300	150	240	270
02	Sc 313310	CIMFR/TC/SR/1667	322	344	150	298	310
03	SC 313375	CIMFR/TC/SR/1581	322	375	150	292	345
04	SC 313410	CIMFR/TC/SR/1666	380	425	150	345	390

Table 2

Maximum Number of Cable Entries

Sr. No.	SIZE OF CABLE ENTRIES	MAX. Nos. OF CABLE ENTRIES							
		SC 313260		SC 313310		SC 313375		SC 313410	
		SIDE A/C	SIDE B/D	SIDE A/C	SIDE B/D	SIDE A/C	SIDE B/D	SIDE A/C	SIDE B/D
01	M20 x 1.5 Pitch	09 Nos.	08 Nos.	10 Nos.	10 Nos.	13 Nos.	10 Nos.	14 Nos.	13 Nos.
02	M25 x 1.5 Pitch	06 Nos.	05 Nos.	08 Nos.	08 Nos.	10 Nos.	08 Nos.	12 Nos.	10 Nos.
03	M32 x 1.5 Pitch	04 Nos.	03 Nos.	04 Nos.	04 Nos.	05 Nos.	04 Nos.	06 Nos.	05 Nos.
04	M40 x 1.5 Pitch	03 Nos.	02 Nos.	04 Nos.	03 Nos.	04 Nos.	03 Nos.	05 Nos.	04 Nos.
05	M50 x 1.5 Pitch	02 Nos.	02 Nos.	03 Nos.	03 Nos.	03 Nos.	03 Nos.	04 Nos.	03 Nos.
06	M63 x 1.5 Pitch	—	—	—	—	—	—	—	—
07	M75 x 1.5 Pitch	—	—	—	—	—	—	—	—

Table 3

Maximum Number of Terminals

Sr. No	TYPE No	Maximum Number of Terminals (DIN Rail mounted)													
		2.5/4 Sq.mm		6 Sq.mm		10 Sq mm		16 Sq.mm		35/50 Sq.mm		70 Sq mm		95 Sq.mm	
		HOR.	VER.	HOR.	VER.	HOR.	VER.	HOR.	VER.	HOR.	VER.	HOR.	VER.	HOR.	VER.
01	SC 313260	2 x 24	2 x 28	2 x 20	2 x 24	2 x 17	2 x 20	2 x 14	2 x 16	1 x 07	1 x 08	1 x 02	1 x 03	—	—
02	SC 313310	2 x 30	2 x 32	2 x 26	2 x 28	2 x 20	2 x 20	2 x 16	2 x 16	1 x 10	1 x 09	1 x 04	1 x 03	1 x 03	1 x 02
03	SC 313375	2 x 30	2 x 34	2 x 26	2 x 30	2 x 20	2 x 23	2 x 16	2 x 18	2 x 09	1 x 10	1 x 03	1 x 05	1 x 02	1 x 04
04	SC 313410	3 x 34	3 x 42	3 x 30	3 x 36	3 x 23	3 x 30	2 x 18	2 x 24	2 x 10	2 x 14	2 x 06	1 x 05	1 x 04	1 x 05