



SINCE 1974

# Ex-e & Wp Junction Box Suitable For Zone- 2 Area

## ● Technical Data : IJ 21100

### PROTECTION :

IP-67 AS PER IS/IEC 60529

### CERTIFICATION :

CIMFR/TC/SR/H471

### TERMINALS :

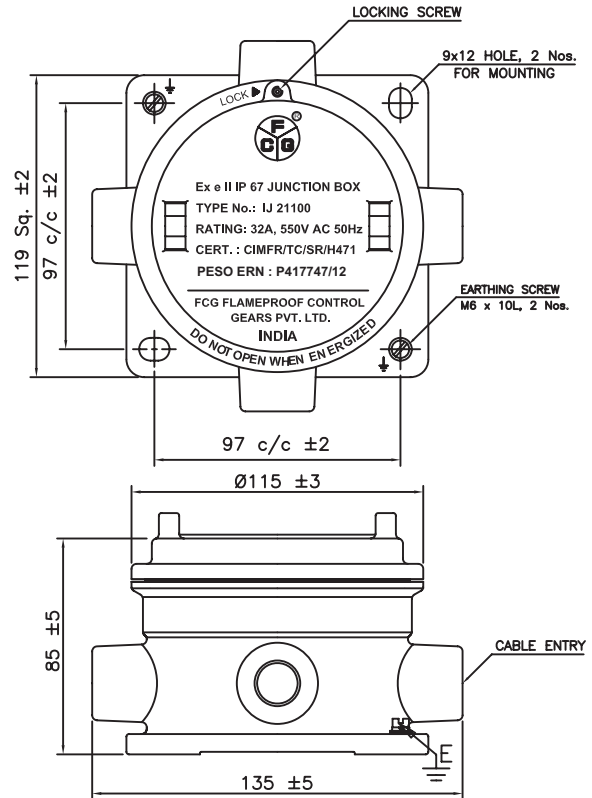
CLIPON TYPE 2.5 Sq. mm x 8 Nos.

### CABLE ENTRY :

M20 x 4 Nos. AS A STANDARD

THREE SIDE M20 x 1 No.

AT BOTTOM M20 x 2 Nos. AS ON REQUEST



## ● Technical Data : FCG/JB/1004-5

### PROTECTION :

IP-65/66 AS PER IS/IEC 60529

### CERTIFICATION :

CIMFR/TC/SR/H460

### TERMINALS :

CLIPON TYPE 2.5 Sq. mm x 10 Nos.

### CABLE ENTRY :

M20 x 4 Nos. AS A STANDARD

