



SINCE 1974

Ex-e & Wp Junction Box Suitable For Zone- 2 Area

● Technical Data :

PROTECTION :

IP-55/65 AS PER IS/IEC 60529

CERTIFICATION :

AS PER TABLE No.1

TERMINALS :

AS PER TABLE No.3

CABLE ENTRY :

AS PER TABLE No.2

NOTE :

THIS ENCLOSURE IS ALSO AVAILABLE WITH HINGE ARRANGEMENT ON REQUEST.

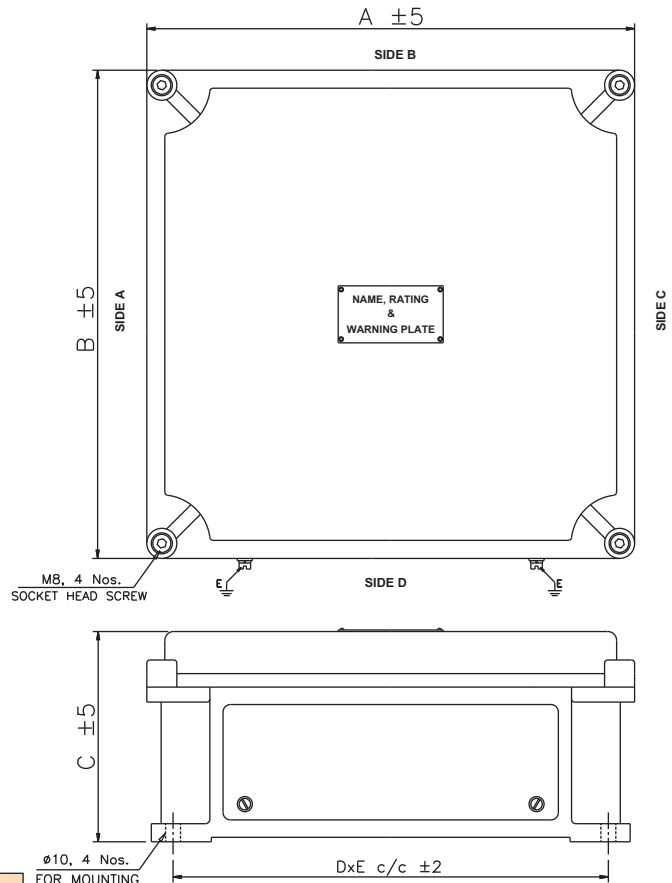


Table 1

Sr. No.	TYPE No.	IP	CERTIFICATION	DIMENSIONS				
				A ±5	B ±5	C ±5	D ±2	E ±2
01	JB 1004-2	55	CIMFR/TC/SR/H300	170	170	125	140	140
02	JB 1004-3	65	CIMFR/TC/SR/H337	172	330	125	140	290
03	JB 1004-4	65	CIMFR/TC/SR/H304	325	325	145	295	295
04	JB 1004-10	55	CIMFR/TC/P/H356	640	785	210	575	720
05	JB 1004-11	55	CIMFR/TC/P/1117	785	930	210	725	875

As on Request

Table 2

Maximum Number of Cable Entries

Sr. No.	SIZE OF CABLE ENTRIES	MAX. Nos. OF CABLE ENTRIES									
		JB 1004-2		JB 1004-3		JB 1004-4		JB 1004-10		JB 1004-11	
		SIDE A/C	SIDE B/D	SIDE A/C	SIDE B/D	SIDE A/C	SIDE B/D	SIDE A/C	SIDE B/D	SIDE A/C	SIDE B/D
01	M20 x 1.5 Pitch	04 Nos.	04 Nos.	10 Nos.	04 Nos.	12 Nos.	12 Nos.	44 Nos.	36 Nos.	55 Nos.	47 Nos.
02	M25 x 1.5 Pitch	02 Nos.	02 Nos.	07 Nos.	03 Nos.	09 Nos.	09 Nos.	35 Nos.	29 Nos.	45 Nos.	38 Nos.
03	M32 x 1.5 Pitch	01 No.	01 No.	05 Nos.	02 Nos.	04 Nos.	04 Nos.	18 Nos.	16 Nos.	23 Nos.	20 Nos.
04	M40 x 1.5 Pitch	01 No.	01 No.	04 Nos.	01 Nos.	03 Nos.	03 Nos.	16 Nos.	15 Nos.	20 Nos.	18 Nos.
05	M50 x 1.5 Pitch	01 No.	01 No.	03 Nos.	01 Nos.	02 Nos.	02 Nos.	07 Nos.	06 Nos.	09 Nos.	08 Nos.
06	M63 x 1.5 Pitch	—	—	—	—	02 Nos.	02 Nos.	06 Nos.	05 Nos.	08 Nos.	07 Nos.
07	M75 x 1.5 Pitch	—	—	—	—	—	—	05 Nos.	04 Nos.	06 Nos.	05 Nos.

Table 3

Maximum Number of Terminals

Sr. No.	TYPE No	Maximum Number of Terminals (DIN Rail mounted)															
		2.5/4 Sq.mm		6 Sq.mm		10 Sq mm		16 Sq.mm		35/50 Sq.mm		70 Sq mm		95 Sq.mm		120 Sq.mm	
		HOR.	VER.	HOR.	VER.	HOR.	VER.	HOR.	VER.	HOR.	VER.	HOR.	VER.	HOR.	VER.	HOR.	VER.
01	JB 1004-2	1 x 10	1 x 10	1 x 07	1 x 07	1 x 06	1 x 06	1 x 04	1 x 04	—	—	—	—	—	—	—	—
02	JB 1004-3	1 x 30	1 x 10	1 x 24	1 x 07	1 x 20	1 x 06	2 x 16	1 x 04	1 x 10	1 x 02	—	—	—	—	—	—
03	JB 1004-4	2 x 28	2 x 28	2 x 24	2 x 24	2 x 20	2 x 20	2 x 16	2 x 16	1 x 05	1 x 05	1 x 04	1 x 04	1 x 04	1 x 04	—	—
04	JB 1004-10	5 x 68	4 x 88	5 x 60	4 x 75	5 x 48	4 x 60	4 x 40	3 x 50	3 x 20	2 x 30	3 x 11	2 x 16	3 x 10	2 x 12	3 x 10	2 x 12
05	JB 1004-11	7 x 88	5 x 100	7 x 75	5 x 95	7 x 60	5 x 75	6 x 50	5 x 62	5 x 30	3 x 40	4 x 16	3 x 20	4 x 12	3 x 16	3 x 12	2 x 16