



SINCE 1974

Flameproof & Weatherproof Fluorescent Tube Light Fixture

● Technical Data : FLT 61...Series

ENCLOSURE :

Ex-d, GAS Gr. IIA, IIB & IIC AS PER IS/IEC 60079-1 & IS/IEC 60079-0

PROTECTION :

IP-66 AS PER IS/IEC 60529

AREA CLASSIFICATION :

ZONE-1, 2, 21 & 22

CERTIFICATION :

CIMFR/TC/P/983

MATERIAL OF CONSTRUCTION :

PRESSURE DIE CAST ALUMINUM ALLOY

RATED VOLTAGE :

240V \pm 10V AC 50/60Hz

VOLTAGE OTHER THEN SPECIFIED IS ON REQUEST

RATING & TEMP. CLASSIFICATION :

AS PER TABLE

TRANSPARENT PART :

HEAT RESISTANT & BOROSILICATED CLEAR TUBULAR GLASS

HOLDER :

BI-PIN TYPE

FINISH :

DARK ADMIRALTY GREY EPOXY POWDER COATED SHADE 632 AS PER IS:5

HARDWARE :

STAINLESS STEEL

EARTHING :

1 No. INSIDE & 2 Nos. OUTSIDE

CABLE ENTRY :

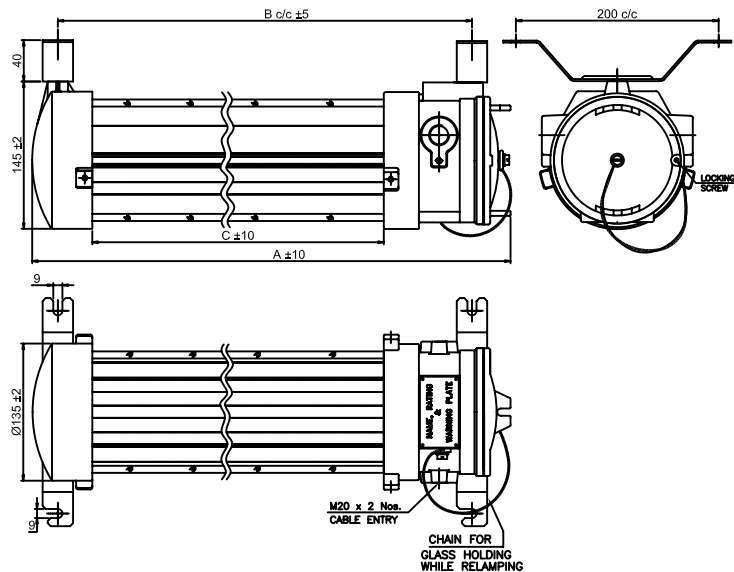
M20 x 2 Nos.

OPTIONAL ACCESSORIES AT EXTRA COST:

- 1) EXTERNAL REFLECTOR
- 2) WIRE GUARD
- 3) PAINT SHADE AS PER CUSTOMER REQUIREMENTS.
- 4) DOUBLE COMPRESSION CABLE GLAND/STOPPER (BNP/SS)
- 5) LAMP
- 6) ENCLOSURE WITH POLYCARBONATE CLEAR & TRANSPARENT TUBE DEVELOP ON REQUEST

NOTE:

- 1) MOC: STAINLESS STEEL / CAST IRON ON REQUEST



SR. No.	WATTAGE LAMP & BALLAST (AC/DC)	TEMP. CLASS	DIMENSIONS		
			A \pm 10	B \pm 5	C \pm 10
1	11/18W CFL With / Without Emergency Battery Back up	T6	475	405	290
2	10/20W LED With / Without Emergency Battery Back up				
3	1x18/20W / 2x18/20W Fluorescent Tube Lamp (T8)	T6	755	695	565
4	1x36W / 2x36W Compact Fluorescent Lamp / 30W LED				
5	2x18W FTL With / Without Emergency Battery Back up				
6	1x10W / 2x10W LED TUBE LAMP	T6	1330	1270	1145
7	1x36W / 2x36W Fluorescent Tube Lamp (T8)				
8	2x28W / 3x28W Fluorescent Tube Lamp (T5)				
9	2x36W FTL With / Without Emergency Battery Back up	T5	1640	1570	1450
10	1x22W / 2x22W LED TUBE LAMP / 60W LED				
11	2x54W / 3x54W Fluorescent Tube Lamp (T5)	T6	1640	1570	1450
12	1x58/65W / 2x58/65W Fluorescent Tube Lamp (T8)				