



SINCE 1974

Flameproof & Weatherproof Rotary / Selector Switch & Ammeter Box

● Technical Data : PB 61207 / PB 61208

PROTECTION :

IP-65/66 AS PER IS/IEC 60529

CERTIFICATION :

CIMFR/TC/SR/1268

CIMFR/TC/S/H136

COMPONENTS :

A) SWITCH, 25A, 230/415V, ON-OFF - 1 No.

B) AMMETER DIGITAL / ANALOG - 1 No.

C) 4 WAY TERMINAL BLOCK - 1 No.

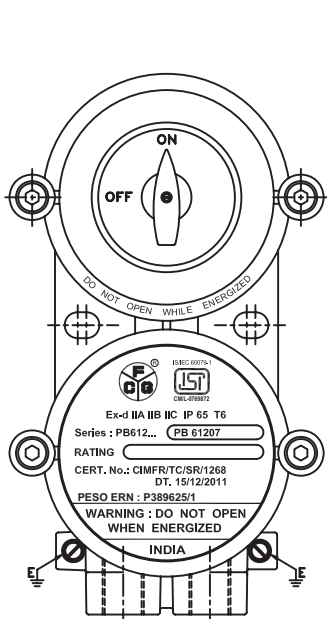
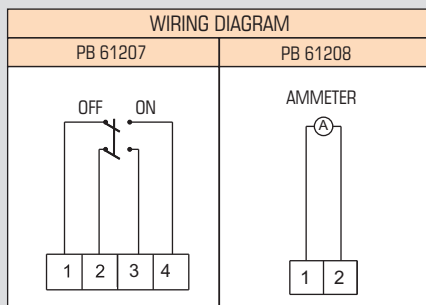
Max. TERMINALS CLIPON TYPE 2.5 Sq.mm x 8 Nos.

CABLE ENTRY :

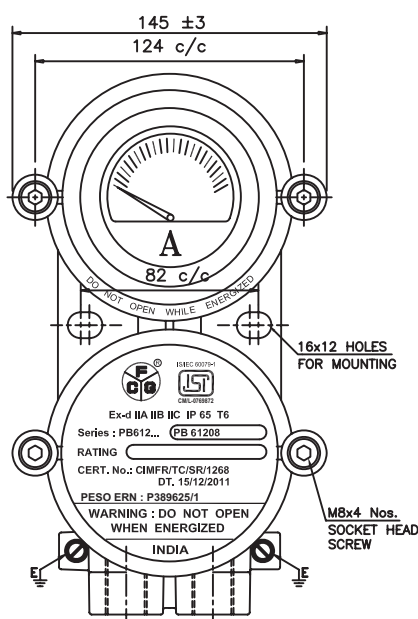
M20 x 02 Nos.

NOTE :

1) PRESSURE DIE CAST ENCLOSURE



PB 61207



CABLE ENTRY

PB 61208

