



SINCE 1974

Flameproof & Weatherproof Fire Alarm Station / Limit Switch

● Technical Data : PB 61209 / PB 61210

PROTECTION :

IP-65 AS PER IS/IEC 60529

CERTIFICATION :

CIMFR/TC/SR/1268

CIMFR/TC/S/H136

COMPONENTS :

A) CONTACT ELEMENT 10A, 415V AC

B) ACTUATOR, SPRING LOADED - 01 No.

C) BREAKABLE GLASS - 01 No.

D) 4 WAY TERMINAL BLOCK - 1 No.

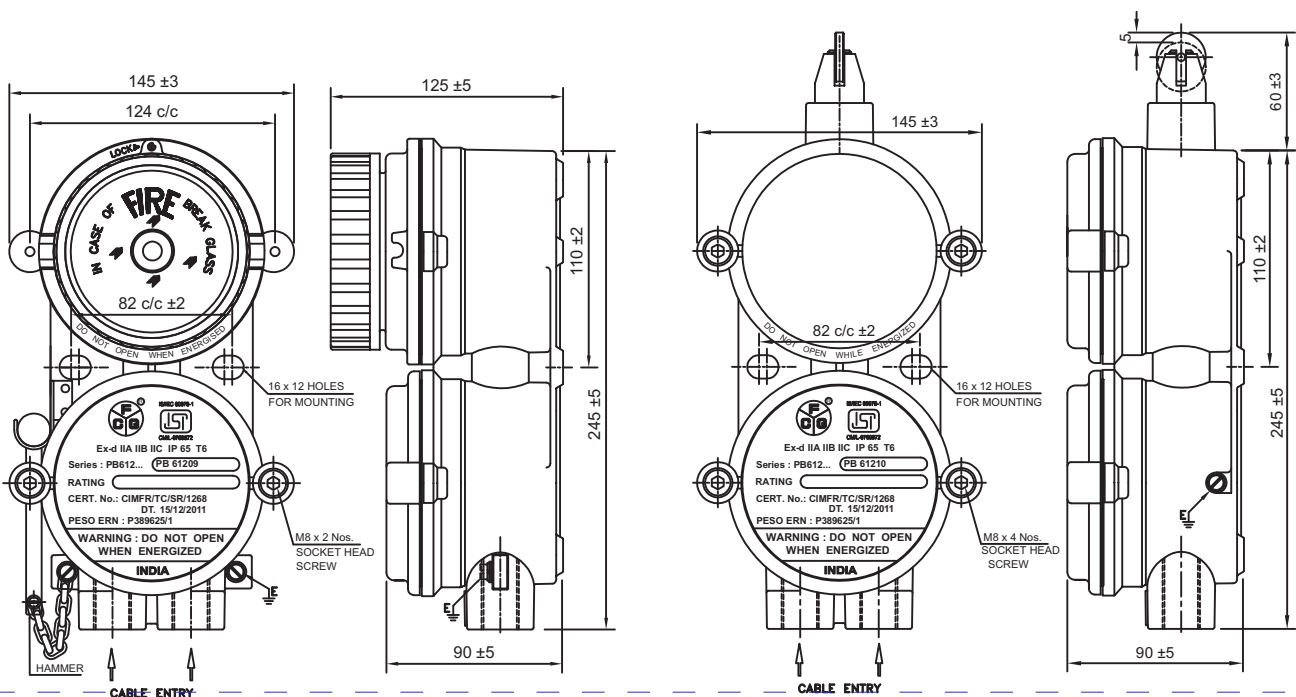
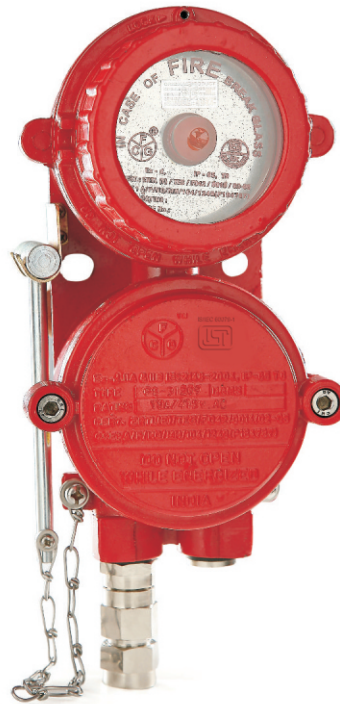
Max. TERMINALS CLIPON TYPE 2.5 Sq.mm x 8 Nos.

CABLE ENTRY :

M20 x 02 Nos.

NOTE :

1) PRESSURE DIE CAST ENCLOSURE



PB 61209

PB 61210