



SINCE 1974

Flameproof & Weatherproof Limit Switch With Top Push Roller

● Technical Data : IJ 61110

PROTECTION :

IP-66 AS PER IS/IEC 60529

CERTIFICATION :

CIMFR/TC/SR/H55

COMPONENTS :

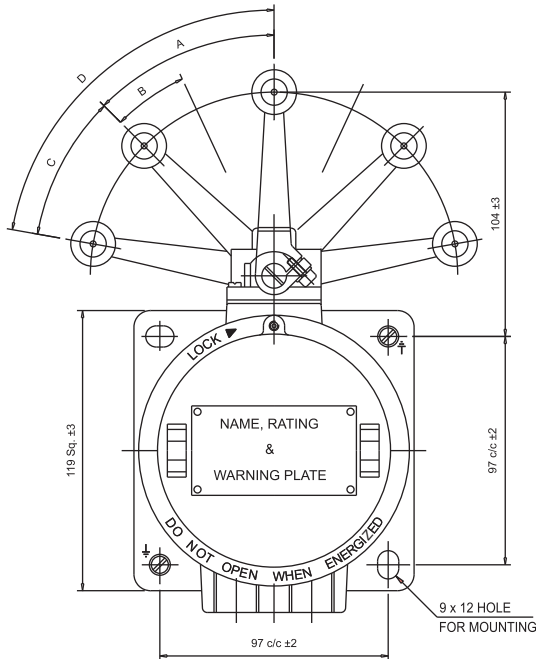
- 1) CONTACT ELEMENT 10A, 415V AC
- 2) ACTUATOR WITH (1NC + NO) CONTACT - 1 No

CABLE ENTRY :

M20 x 02 Nos.

NOTE :

- 1) AVAILABLE WITH 2NO+2NC CONTACT
- 2) PRESSURE DIE CAST ENCLOSURE



- A = 45° - TRAVEL TO TRIP
- B = 20° - TRAVEL TO RESET FROM TRIP POINT
- C = 35° - OVER TRAVEL
- D = 80° - TOTAL TRAVEL

