



SINCE 1974

Flameproof & Weatherproof Fluorescent Tube Light Fixture

● Technical Data : LT 31...Series

ENCLOSURE :

Ex-d, GAS Gr. IIA & IIB AS PER IS/IEC 60079-1 & IS/IEC60079-0

PROTECTION :

IP-65/66 AS PER IS/IEC 60529

AREA CLASSIFICATION :

ZONE-1, 2, 21 & 22

CERTIFICATION :

CIMFR/TC/SR/1540

MATERIAL OF CONSTRUCTION :

PRESSURE DIE CAST ALUMINUM ALLOY

RATED VOLTAGE :

240V \pm 10V AC 50/60Hz

VOLTAGE OTHER THEN SPECIFIED IS ON REQUEST

RATING & TEMP. CLASSIFICATION :

AS PER TABLE

TRANSPARENT PART :

HEAT RESISTANT & BOROSILICATED CLEAR TUBULAR GLASS

HOLDER :

BI-PIN TYPE

FINISH :

DARK ADMIRALTY GREY EPOXY POWDER COATED SHADE 632 AS PER IS:5

HARDWARE :

STAINLESS STEEL

EARTHING :

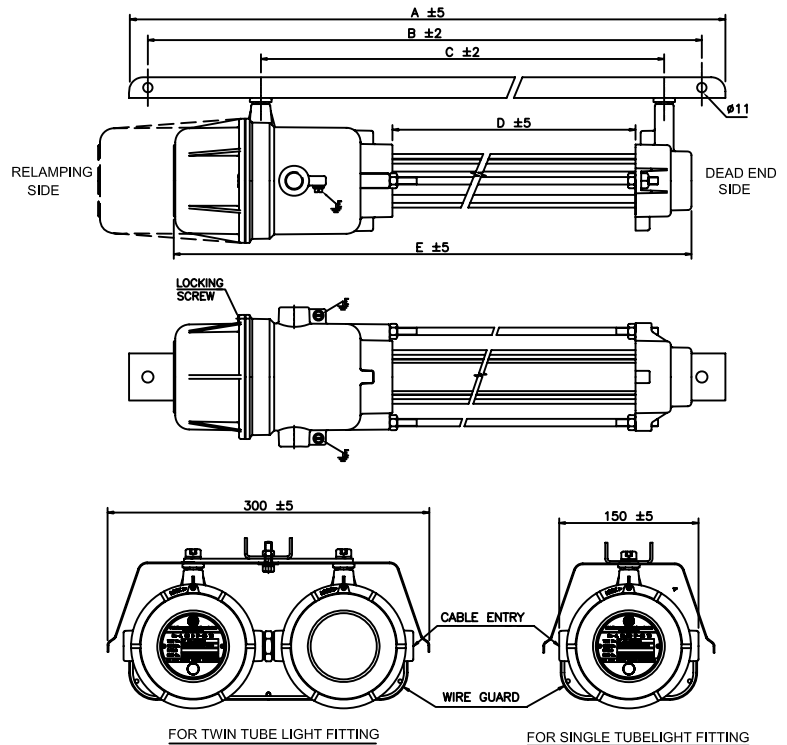
1 No. INSIDE & 2 Nos. OUTSIDE

CABLE ENTRY :

M20 x 2 Nos.

OPTIONAL ACCESSORIES AT EXTRA COST:

- 1) EXTERNAL REFLECTOR
- 2) WIRE GUARD
- 3) PAINT SHADE AS PER CUSTOMER REQUIREMENTS.
- 4) DOUBLE COMPRESSION CABLE GLAND/STOPPER (BNP/SS)
- 5) LAMP
- 6) ENCLOSURE WITH POLYCARBONATE CLEAR & TRANSPARENT TUBE DEVELOP ON REQUEST



SR. No.	TUBES/ LAMPS	TEMP. CLASS	DIMENSION (mm)					REMERK
			A \pm 5	B \pm 2	C \pm 2	D \pm 5	E \pm 5	
1	1x18/20W (T8)	T6	930	880	705	550	840	-
2	2x18/20W (T8)	T6	930	880	705	550	840	AS ON REQUEST
3	1x36/40W (T8)	T6	1525	1480	1320	1150	1440	-
4	2x36/40W (T8)	T6	1525	1480	1320	1150	1440	AS ON REQUEST
5	1x58/65W (T8)	T6	1830	1785	1620	1450	1740	AS ON REQUEST
6	2x58/65W (T8)	T6	1830	1785	1620	1450	1740	AS ON REQUEST
7	1x36W CFL	T6	750	710	570	400	690	-
8	2x36W CFL	T6	750	710	570	400	690	AS ON REQUEST
9	2x11/18/26W CFL	T6	540	510	360	225	465	-
10	1x28W (T5)	T5	1525	1480	1320	1150	1440	-
11	2x28W (T5)	T5	1525	1480	1320	1150	1440	AS ON REQUEST