



SINCE 1974

Flameproof & Weatherproof Switch Socket Combined

● Technical Data : PB 61254

PROTECTION :

IP-65 / IP-66 AS PER IS/IEC 60529

CERTIFICATION :

CIMFR/TC/SR/1268
CIMFR/TC/S/H136

COMPONENTS :

A) SWITCH 25/32A, DP 415V - 1 No.
B) MATCHING PLUG & SOCKET - 1 No.
C) 4 WAY TERMINAL BLOCK - 1 No.

SPECIAL FEATURES :

THIS UNIT IS FOOLPROOF INTERLOCKED.
SWITCH CAN NOT BE PUT "ON" UNLESS PLUG IS FULLY INSERTED AND ROTATED CLOCKWISE OR PLUG CAN NOT BE PULLED OUT UNLESS SWITCH IS PUT "OFF" BY ROTATING THE PLUG IN THE ANTICLOCKWISE DIRECTION.

CABLE ENTRY :

M20 x 02 Nos.

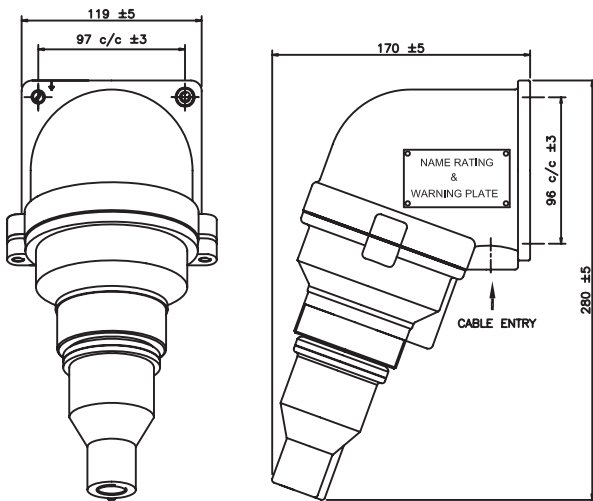
NOTE :

1) PRESSURE DIE CAST ENCLOSURE



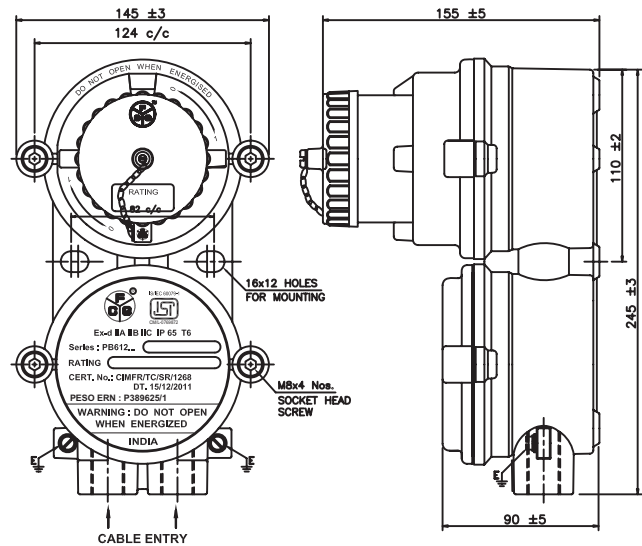
IJ 61254

CERTIFICATION : CIMFR/TC/P/332

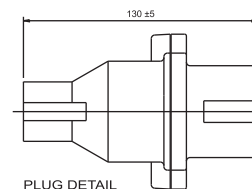
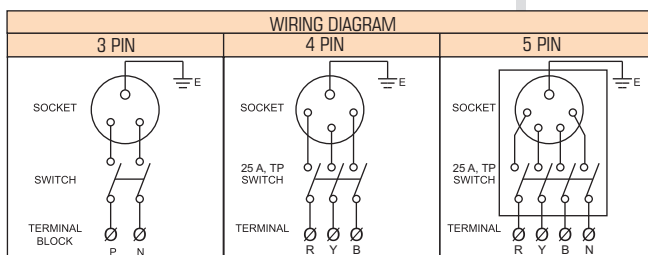


DIRECT ENTRY

PB 61254



IN-DIRECT ENTRY



PLUG DETAIL