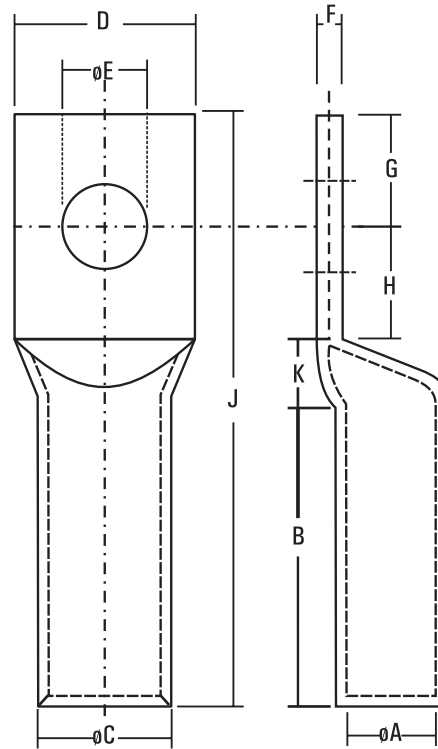


WE RESERVE THE RIGHTS AT ANY TIME TO MAKE ANY SPECIFICATION OR DIMENSIONAL CHANGES DEEMED NECESSARY TO ENSURE ADVANCEMENT IN THE DESIGN OR MANUFACTURE OF ANY PRODUCT



Dowell's Cat No.	Size mm ²	Ø E	Ø A	Ø C	D	F	B	K	H	G	J
ALS-XL17	25	8.2	7.2	9.6	14.0	2.4	41	7	12	9	69
ALS-XL18	35	8.2	8.3	11.1	16.0	2.8	50	7	11	11	79
ALS-XL19	50	10.2	10.1	13.5	19.5	3.4	49	8	13	11	81
ALS-XL20	70	10.2	10.2	14.5	20.5	4.3	62	8	13	13	96
ALS-XL21	95	12.7	12.0	16.9	23.5	4.9	73	8	14	14	109
ALS-XL22	120	12.7	13.7	19.0	26.5	5.3	73	11	15	15	114
ALS-XL23	150	12.7	15.1	21.1	29.5	6.1	83	11	17	17	128
ALS-XL24	185	12.7	16.6	23.9	33.0	7.3	83	12	18	18	131
ALS-XL25	225	12.7	18.6	26.1	36.0	7.5	86	14	20	20	140
ALS-XL26	240	12.7	19.3	27.2	37.5	7.9	86	14	22	22	144
ALS-XL27	300	20.3	21.8	30.2	42.0	8.4	89	14	27	27	157
ALS-XL28	400	20.3	25.0	34.8	48.0	9.8	113	13	30	30	187
ALS-XL29	500	20.3	28.2	39.1	54.0	10.9	125	15	32	32	205
ALS-XL30	630	20.3	31.7	44.4	61.0	12.7	140	16	34	34	224
ALS-XL31	800	20.3	35.7	49.5	68.0	13.8	147	25	39	39	250
ALS-XL32	1000	20.3	41.0	56.0	77.5	15.0	160	30	45	45	280

MATERIAL-ELECTROLYTIC ALUMINIUM IS 5082

TOLERANCE=± 5%

FINISH : NATURAL