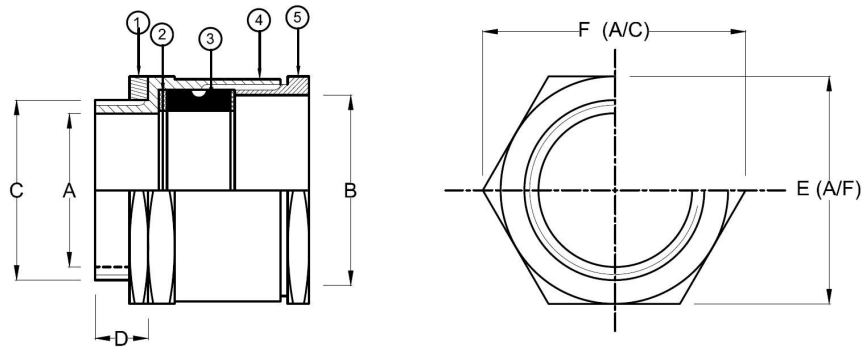


# SINGLE COMPRESSION BRASS CABLE GLANDS



SUITABLE OVER ALL DIAMETER	DOWELL'S CATLOGUE NO.	A (mm)	B (mm)	C (mm)	D (mm)	E A/F (mm)	F A/C (mm)
06 - 12.5	3/8"	11.5	12.5	15.5	7.5	18.0	20.5
12.6 - 14	1/2"	12.0	15.0	15.5	8.5	22.0	25.0
14.1 - 15.5	5/8"	14.5	16.5	18.5	8.0	21.0	24.0
15.6 - 16.5	3/4"	14.5	17.5	19.0	8.5	23.0	26.0
16.5 - 19	7/8"	14.5	20.0	18.5	8.5	25.0	29.0
19.1 - 22	1"	20.5	23.0	25.0	9.0	29.0	33.0
22.1 - 27	1.1/8"	24.0	28.0	28.5	10.5	35.0	40.0
27.1 - 31	1.1/4"	27.0	32.0	31.5	11.0	40.0	46.0
31.1 - 34.5	1.3/8"	29.5	35.5	34.5	11.0	44.0	50.0
34.6 - 38.5	1.1/2"	33.0	39.5	38.0	11.5	47.0	54.0
38.6 - 43.5	1.3/4"	40.0	44.5	44.0	11.5	54.0	62.0
43.6 - 50.5	2"	45.0	51.5	50.0	13.0	60.0	69.0
50.6 - 57	2.1/4"	51.5	58.0	56.5	13.0	68.0	78.0
57.1 - 61.5	2.1/2"	57.5	62.5	63.0	14.0	72.0	82.0
61.6 - 68	2.3/4"	63.5	69.0	69.0	15.0	80.0	90.0
68.1 - 74	3"	68.0	75.0	75.0	16.0	87.0	99.0
74.1 - 80.5	3.1/4"	75.0	81.5	82.0	16.0	92.0	105.0
80.6 - 87	3.1/2"	81.5	86.5	88.0	16.0	102.0	115.0
87.1 - 100	4"	92.0	101.0	100.0	17.0	110.0	126.0
100.1 - 108	4.1/2"	107.0	109.0	105.0	20.0	129.5	148.0

**NOTE:-**

- \* Tolerances :- +/- 2 mm
- \* Raw material :- Brass as per IS-319 (Alu./S.S./M.S./ also available).
- \* Finish :- Bright Nickel plated (also Tin/Chrome/Cadmium).
- \* Entry thread :- BSC/ET

SR. NO.	PARTICULARS	MATERIAL	NOS.
1.	CHECK NUT	BRASS	1
2.	METAL WASHER	M.S.	3
3.	SEALING RING	NATURAL	1
4.	GLAND BODY	BRASS	1
5.	GLAND COVER	BRASS	1