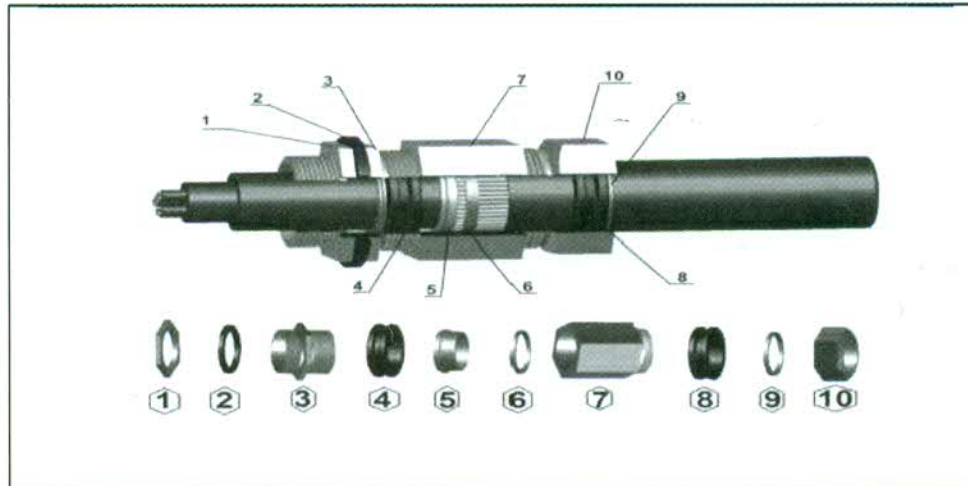


DOUBLE COMPRESSION CABLE GLANDS



AN ISO 9001 : 2008 CERTIFIED CO.

TECHNICAL SPECIFICATION



TECHNICAL DATA

- Material :- Brass As Per IS - 319 Standard, Also Available in (Aluminium/M.S. & S.S. 304/316)
- Finish :- Bright Nickel Plated, Also (Tin/Cadmium/Chrome)
- Entry Threads :- BSC/ET, Also (PG/Metric/NPT/BSP)
- Sealing Ring :- Neoprene/Nitrile/Natural Rubber
- Reference Standard :- BS-6121, IEC 60079-1 : 2007 for Flame Proof
- Ingress Protection :- IP-67 as per IEC 60529 : 2001

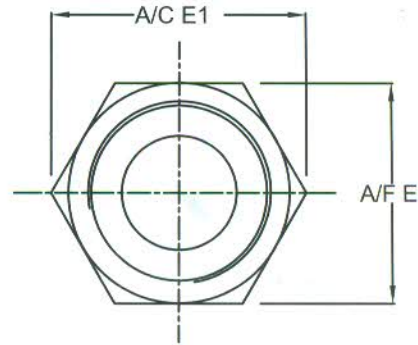
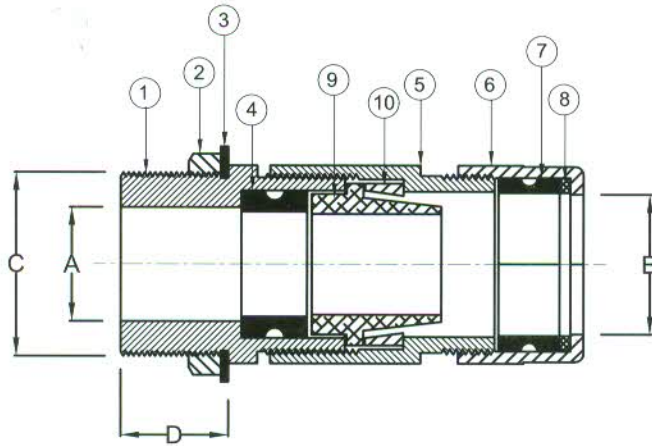
APPLICATION

- Weather Proof Glands are used in regular climatic conditions, Which are Water Proof and Dust Proof (IP-67).
- Flame Proof Glands are generally used in hazardous area, as well as in normal climatic condition Which are Water Proof and Dust Proof (IP-67).

FITTING SEQUENCE

- Insert Part No. 10, 9,8 and 7 respectively on the outer sheath of the cable before exposing the armour.
- After removing outer sheath of the cable, insert part No. 6 over the exposed armour.
- Insert part No. 5 under the armour through inner sheath of the cable, cut the armour as per the length of part 5.
- Squeeze the armour between part No. 5 and 6 by moving both towards each other.
- Insert part No. 3 & 4 and fix it with part No.7.
- Finally Apply the spanner and tight part No. 3 and 10 with 7.
- Fix the gland assembly to enclosure form one side and part no. 1 from another side if the entry thread is not provided in enclosure.

DOUBLE COMPRESSION BRASS CABLE GLANDS (for ARMoured CABLE)



SUITABLE OVER ALL DIAMETER	DBW SERIES	D (mm)	DBF SERIES	D (mm)	A (mm)	B (mm)	C (inch)	E A/F	E1 A/C
6.0 - 12.0	DBW - 01SS	13	DBF - 01SS	25	12.5	13.0	3/4"	21.0	24.0
12.0 - 16.5	DBW - 01S	15	DBF - 01S	25	14.5	18.0	3/4"	25.0	29.0
16.5 - 18.5	DBW - 01	15	DBF - 01	25	14.5	19.0	3/4"	27.5	31.5
16.5 - 18.5	DBW - 01A	15	DBF - 01A	25	14.5	19.0	1"	27.5	31.5
18.5 - 20.0	DBW - 02	15	DBF - 02	25	18.0	21.0	1"	30.0	34.5
18.5 - 20.0	DBW - 02A	15	DBF - 02A	25	14.5	21.0	3/4"	30.0	34.5
20.0 - 23.0	DBW - 03	15	DBF - 03	25	19.0	23.5	1"	31.5	36.0
23.0 - 26.0	DBW - 04	15	DBF - 04	25	20.5	27.0	1"	36.0	41.5
23.0 - 26.0	DBW - 04A	15	DBF - 04A	25	22.0	27.0	1.1/4"	36.0	41.5
26.0 - 30.0	DBW - 05	15	DBF - 05	25	25.5	31.0	1.1/4"	41.0	47.0
26.0 - 30.0	DBW - 05A	15	DBF - 05A	25	27.0	31.0	1.1/2"	41.0	47.0
30.0 - 33.0	DBW - 06	15	DBF - 06	25	31.0	34.5	1.1/2"	47.0	54.0
30.0 - 33.0	DBW - 06A	15	DBF - 06A	25	27.0	34.5	1.1/4"	47.0	54.0
33.0 - 37.0	DBW - 07	15	DBF - 07	25	32.0	38.0	1.1/2"	50.0	57.0
37.0 - 41.0	DBW - 08	15	DBF - 08	25	38.5	42.5	2"	56.0	64.0
41.0 - 46.0	DBW - 09	15	DBF - 09	25	40.0	47.0	2"	59.0	67.0
46.0 - 52.0	DBW - 010	20	DBF - 010	25	44.0	53.0	2"	67.0	77.0
46.0 - 52.0	DBW - 010A	20	DBF - 010A	25	48.0	53.0	2.1/2"	67.0	77.0
52.0 - 54.0	DBW - 011A	20	DBF - 011A	25	51.0	57.0	2.1/2"	72.0	83.0
54.0 - 61.0	DBW - 011	20	DBF - 011	25	56.5	62.0	2.1/2"	80.0	92.0
61.0 - 66.0	DBW - 012	20	DBF - 012	25	64.0	68.0	3"	85.0	98.0
66.0 - 72.0	DBW - 013A	20	DBF - 013A	25	67.0	73.0	3"	89.0	103.0
72.0 - 78.0	DBW - 013	20	DBF - 013	25	74.0	80.0	3.1/4"	99.0	113.0
78.0 - 84.0	DBW - 014	20	DBF - 014	25	78.0	85.0	3.1/2"	105.0	121.0
84.0 - 94.0	DBW - 015	20	DBF - 015	25	90.5	97.0	4"	114.0	132.0
94.0 - 104.0	DBW - 016	20	DBF - 016	25	101.0	106.0	4.1/2"	130.0	149.0

NOTE :

- (DBW - Weather Proof Series) (DBF - Flame Proof Series)