



SINCE 1974

## JUNCTION BOX

### ● TYPE NO. IJ 61100LD (INTERNAL DIAMETER 96 mm)

#### A) PROTECTION :

**ATEX :** II2 GD Ex db IIC T6...T3 Gb  
Ex tb IIIC T\*\*°c Db  
(-30°C Ta +60°C) IP66

**IECEX :** Ex db IIC T6...T3 Gb  
Ex tb IIIC T\*\*°c Db  
(-30°C Ta +60°C) IP66

#### B) MOC :

CAST ALUMINUM ALLOY,  
STAINLESS STEEL & CAST IRON

#### C) ENTRY :

M25 x 4 Nos. (Max.)

#### D) TERMINALS :

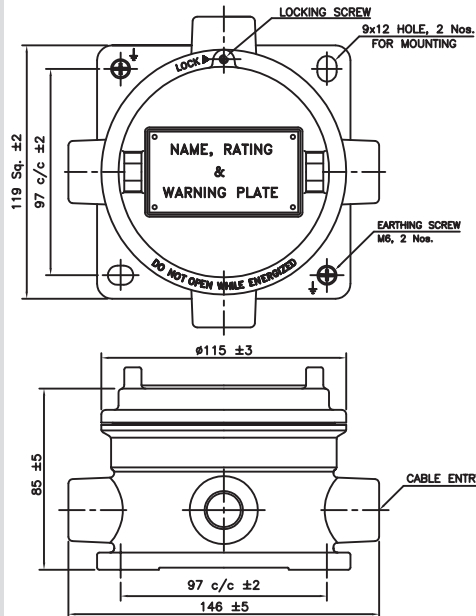
CLIPON TYPE 6 Sq. mm x 7 Nos. (Max.)

#### E) RATING :

UPTO 32A, 550V AC, 50/60 Hz.

#### NOTE :

WITH GLASS WINDOW IN SWITCH GEAR PART.  
**TYPE NO. IJ 61100LDG.**



Approval:  
ATEX / IECEX / PESO

### ● TYPE NO. IJ 63080 (INTERNAL DIAMETER 76 mm)

#### A) PROTECTION :

**ATEX :** II2 GD Ex db IIC T6...T3 Gb  
Ex tb IIIC T\*\*°c Db  
(-30°C Ta +60°C) IP66

**IECEX :** Ex db IIC T6...T3 Gb  
Ex tb IIIC T\*\*°c Db  
(-30°C Ta +60°C) IP66

#### B) MOC :

CAST ALUMINUM ALLOY,  
STAINLESS STEEL & CAST IRON

#### C) ENTRY :

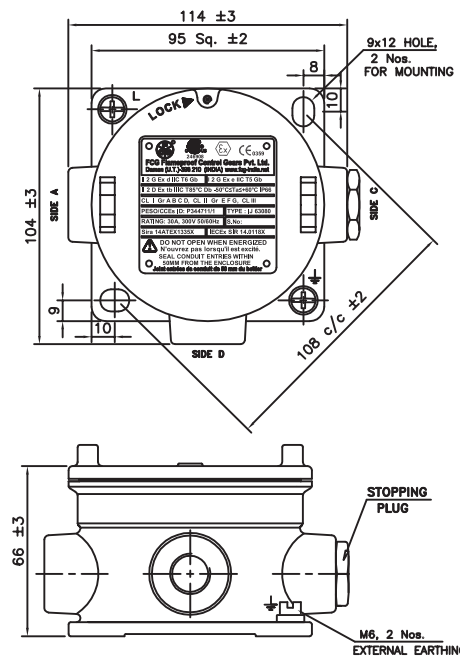
M20 x 4 Nos. (Max.)

#### D) TERMINALS :

CLIPON TYPE 6 WAY TERMINAL BLOCK

#### E) RATING :

30A, 300V AC, 50/60 Hz



Approval:  
cCSAus / ATEX / IECEX



SINCE 1974

● **TYPE NO. IJ 61125LD**  
**(INTERNAL DIAMETER 122 mm)**

**A) PROTECTION :**

**ATEX :** II2 GD Ex db IIC T6...T3 Gb  
Ex tb IIIC T\*\*°c Db  
(-30°C Ta +60°C) IP66

**IECEX :** Ex db IIC T6...T3 Gb  
Ex tb IIIC T\*\*°c Db  
(-30°C Ta +60°C) IP66

**B) MOC:**

CAST ALUMINUM ALLOY,  
STAINLESS STEEL & CAST IRON

**C) ENTRY:**

M25 x 8 Nos. (Max)

**D) TERMINALS:**

CLIPON TYPE 10 Sq. mm x 6 Nos. (Max)

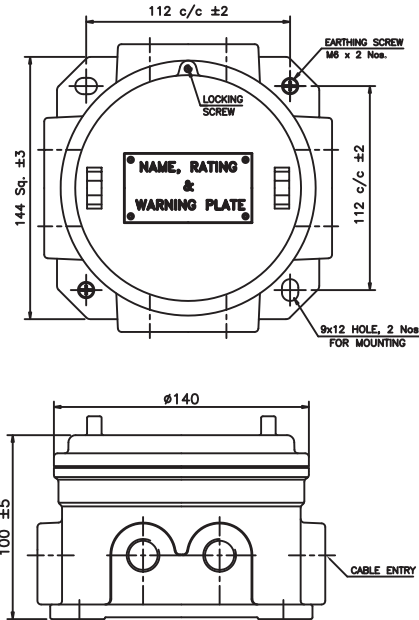
**E) RATING:**

UPTO 63A, 550V AC, 50/60 Hz.

**NOTE :**

WITH GLASS WINDOW IN SWITCH GEAR PART.

**TYPE NO. IJ 61125LDG.**



Approval:

ATEX / IECEx / PESO

● **TYPE NO. IJ 61170**  
**(INTERNAL DIAMETER 165 mm)**

**A) PROTECTION :**

**ATEX :** II2 GD Ex db IIC T6...T3 Gb  
Ex tb IIIC T\*\*°c Db  
(-30°C Ta +60°C) IP66

**IECEX :** Ex db IIC T6...T3 Gb  
Ex tb IIIC T\*\*°c Db  
(-30°C Ta +60°C) IP66

**B) MOC :**

CAST ALUMINUM ALLOY,  
STAINLESS STEEL & CAST IRON

**C) ENTRY :**

M40 x 4 Nos. (Max)

**D) TERMINALS :**

CLIPON TYPE 16 Sq. mm x 8 Nos. (Max)

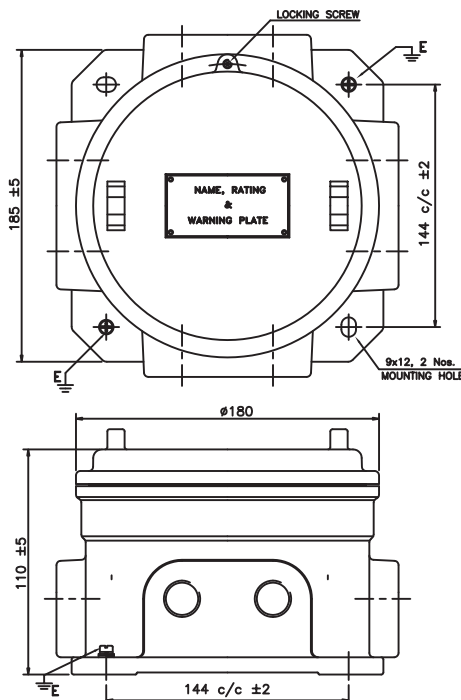
**E) RATING :**

UPTO 100A, 550V AC, 50/60 Hz.

**NOTE :**

WITH GLASS WINDOW IN SWITCH GEAR PART.

**TYPE NO. IJ 61170LDG.**



Approval:

ATEX / IECEx / PESO



SINCE 1974

● **TYPE NO. IJ 61204LD**  
(INTERNAL DIMENSION 206 x 206 x 90 mm)

**A) PROTECTION :**

**ATEX :** II2 GD Ex db IIC T6...T3 Gb  
Ex tb IIIC T\*\*°c Db  
(-30°c Ta +60°c) IP66

**IECEX :** Ex db IIC T6...T3 Gb  
Ex tb IIIC T\*\*°c Db  
(-30°c Ta +60°c) IP66

**B) MOC:**

CAST ALUMINUM ALLOY,  
STAINLESS STEEL & CAST IRON

**C) ENTRY:**

M40 x 8 Nos. (Max.)

**D) TERMINALS:**

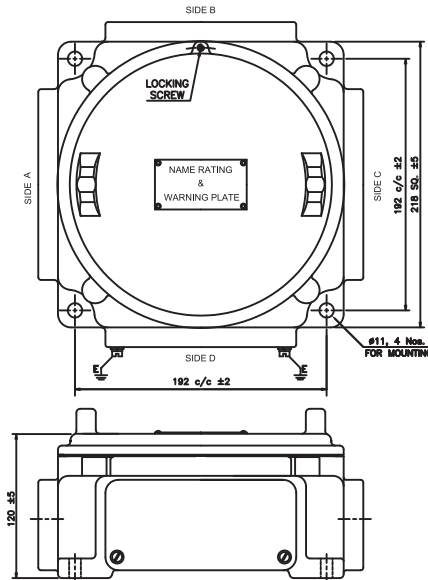
CLIPON TYPE 35 Sq. mm x 6 Nos. (Max.)

**E) RATING:**

UPTO 125A, 550V AC, 50/60 Hz.

**NOTE :**

WITH GLASS WINDOW IN SWITCH GEAR PART.  
**TYPE NO. IJ 61170LDG.**



Approval:

ATEX / IECEx / PESO

● **TYPE NO. IJ 61265**  
(INTERNAL DIMENSION 290 x 290 x 175 mm)

**A) PROTECTION :**

**ATEX :** II2 GD Ex db IIC T6...T3 Gb  
Ex tb IIIC T\*\*°c Db  
(-30°c Ta +60°c) IP66

**IECEX :** Ex db IIC T6...T3 Gb  
Ex tb IIIC T\*\*°c Db  
(-30°c Ta +60°c) IP66

**B) MOC:**

CAST ALUMINUM ALLOY,  
STAINLESS STEEL & CAST IRON

**C) ENTRY:**

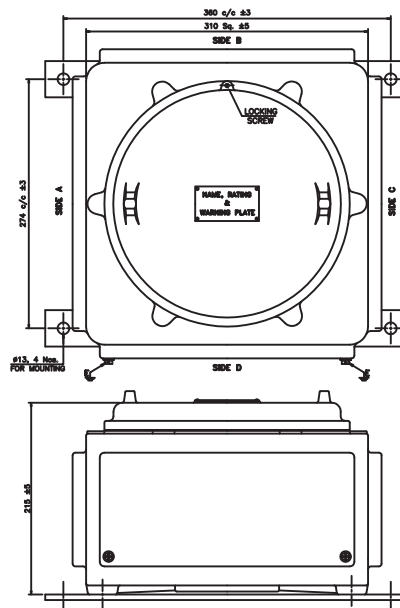
M50 x 24 Nos. (Max.)

**D) TERMINALS:**

CLIPON TYPE 95 Sq. mm x 4 Nos. (Max.)

**E) RATING:**

UPTO 200A, 550V AC, 50/60 Hz.



Approval:

ATEX / IECEx / PESO



SINCE 1974

● **TYPE NO. IJ 61340LD**  
(INTERNAL DIMENSION 348 x 348 x 140 mm)

**A) PROTECTION :**

**ATEX :** Ex II 2 GD Ex db IIC T6...T3 Gb  
Ex tb IIIC T\*\*°c Db  
(-30°C Ta +60°C) IP66

**IECEX :** Ex db IIC T6...T3 Gb  
Ex tb IIIC T\*\*°c Db  
(-30°C Ta +60°C) IP66

**B) MOC:**

CAST ALUMINUM ALLOY,  
STAINLESS STEEL & CAST IRON

**C) ENTRY:**

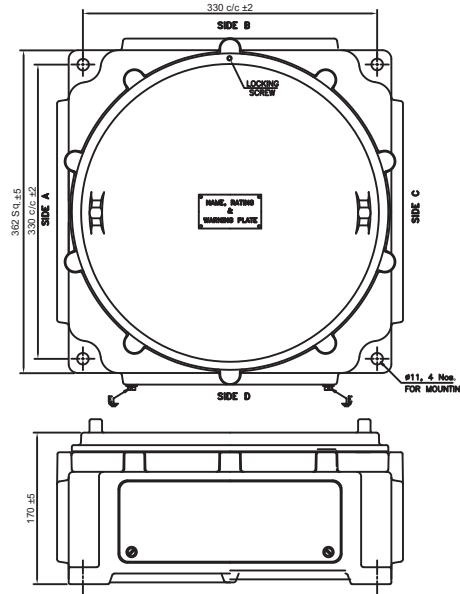
M90 x 8 NOS. (Max.)

**D) TERMINALS:**

CLIPON TYPE 95 Sq. mm x 4 Nos. (Max.)

**E) RATING:**

UPTO 250A, 550V AC, 50/60 Hz.



H- STD. LOW DOME WITH 170 mm  
H- HIGH DOME WITH 240 mm



Approval:

ATEX / IECEX / PESO

● **TYPE NO. IJ 61400, IJ 61500 & 61600**

**A) PROTECTION :**

**ATEX :** Ex II 2 GD Ex db IIC T6...T3 Gb  
Ex tb IIIC T\*\*°c Db  
(-30°C Ta +60°C) IP66

**IECEX :** Ex db IIC T6...T3 Gb  
Ex tb IIIC T\*\*°c Db  
(-30°C Ta +60°C) IP66

**B) MOC:**

CAST ALUMINUM ALLOY,  
STAINLESS STEEL & CAST IRON

**C) ENTRY:**

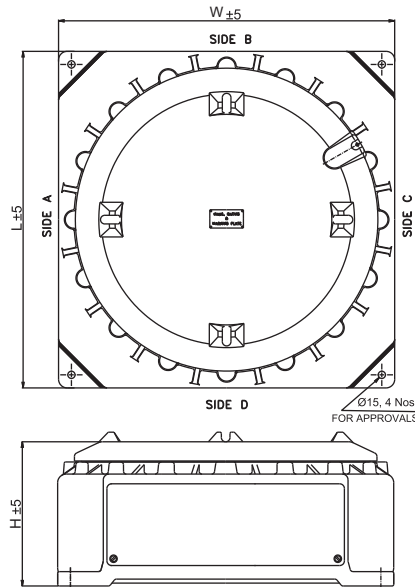
M90 x 8 NOS. (Max.)

**D) TERMINALS:**

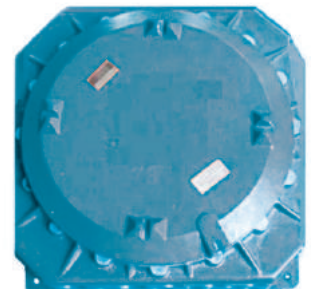
CLIPON TYPE 95 Sq. mm x 4 Nos. (Max.)

**E) RATING:**

UPTO 250A, 550V AC, 50/60 Hz.



H- STD. LOW DOME WITH 170 mm  
H- HIGH DOME WITH 240 mm



Approval:

ATEX / IECEX / PESO



SINCE 1974

● **TYPE NO. DB 31340**

**A) PROTECTION :**

**ATEX :** II2 GD Ex db IIC T6...T3 Gb  
Ex tb IIIC T\*\*°c Db  
(-30°c Ta +60°c) IP66

**B) MOC:**

CAST ALUMINUM ALLOY,  
STAINLESS STEEL & CAST IRON

**C) ENTRY:**

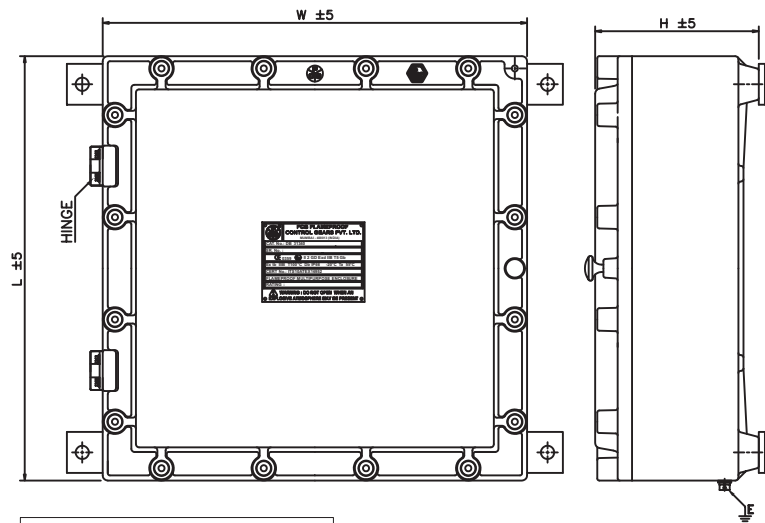
AS PER TABLE BELOW

**D) TERMINALS:**

AS PER TABLE BELOW

**E) RATING:**

AS PER TABLE BELOW



H - STD. LOW DOME WITH 160 mm  
H - HIGH DOME WITH 200 mm

Approval:  
ATEX / PESO

SIZE	DIMENSION ( mm )	ENTRY (Max.)	CLIPON TYPE TERMINALS (Max.)	RATING
DB 31340 A	415 (L) x 415 (W)	M75 x 8 Nos.	120 Sq. mm x 7 Nos.	200A, 690V AC, 50/60 Hz or 250V DC.
DB 31340 B	415 (L) x 270 (W)	M75 x 6 Nos.	95 Sq. mm x 7 Nos.	200A, 690V AC, 50/60 Hz or 250V DC.
DB 31340 C	290 (L) x 250 (W)	M75 x 4 Nos.	35 Sq. mm x 6 Nos.	100A, 690V AC, 50/60 Hz or 250V DC.
DB 31340 AB	415 (L) x 545 (W)	M75 x 10 Nos.	120 Sq. mm x 7 Nos.	250A, 690V AC, 50/60 Hz or 250V DC.
DB 31340 AA	415 (L) x 845 (W)	M75 x 12 Nos.	120 Sq. mm x 15 Nos.	250A, 690V AC, 50/60 Hz or 250V DC.



SINCE 1974

● TYPE NO. PGRC... SERIES

A) PROTECTION :

ATEX : II2 GD Ex db IIC T6...T3 Gb  
Ex tb IIIC T\*\*c Db  
(-30°C Ta +60°C) IP66

B) MOC:

GLASS REINFORCED POLYESTER

C) ENTRY:

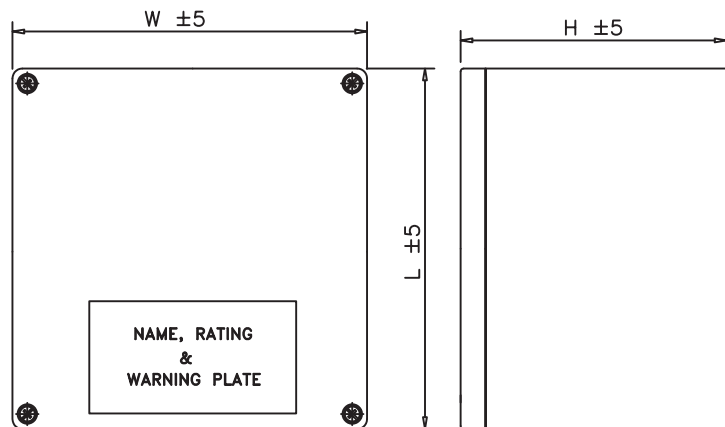
AS PER TABLE BELOW

D) TERMINALS:

AS PER TABLE BELOW

E) RATING:

AS PER TABLE BELOW



Approval: ATEX

ENCLOSURES TYPE No.	CURRENT RATING	BASE SIZE mm	ENTRY (Max.)	CLIPON TYPE TERMINALS
P GR C 12 12 09	16A	120x122x065	M32 x 4 Nos.	6 Sq.mm x 4 Nos.
P GR C 12 22 09	20A	120x220x065	M32 x 8 Nos.	10 Sq.mm x 10 Nos.
P GR C 16 16 09	20A	160x160x070	M40 x 6 Nos.	10 Sq.mm x 10 Nos.
P GR C 16 26 09	33A	160x260x070	M40 x 10 Nos.	16 Sq.mm x 8 Nos.
P GR C 25 25 12	60A	250x255x095	M63 x 8 Nos.	35 Sq.mm x 6 Nos.
P GR C 25 40 12	120A	250x400x095	M63 x 10 Nos.	95 Sq.mm x 5 Nos.
P GR C 25 40 16	120A	250x400x095	M63 x 10 Nos.	95 Sq.mm x 6 Nos.
P GR C 30 42 16	160A	300x420x128	M75 x 8 Nos.	120 Sq.mm x 6 Nos.
P GR C 30 42 19	250A	300x420x128	M75 x 8 Nos.	240 Sq.mm x 4 Nos.
P GR C 36 36 12	92A	360x360x090	M40 x 18 Nos.	70 Sq.mm x 8 Nos.
P GR C 36 72 22	250A	360x720x185	M100 x 12 Nos.	240 Sq.mm x 7 Nos.
P GR C 37 42 21	250A	370x420x158	M90 x 8 Nos.	240 Sq.mm x 4 Nos.
P GR C 40 40 12	92A	405x400x095	M63 x14 Nos.	70 Sq.mm x 8 Nos.
P GR C 42 60 21	250A	420x600x165	M100 x 10 Nos.	240 Sq.mm x 9 Nos.



SINCE 1974

● **TYPE NO. JBE... SERIES**

**A) PROTECTION :**

**ATEX :** II2 GD Ex db IIC T6...T3 Gb  
Ex tb IIIC T\*\*°c Db  
(-30°c Ta +60°c) IP66

**B) MOC:**

STAINLESS STEEL & MILD STEEL

**C) ENTRY:**

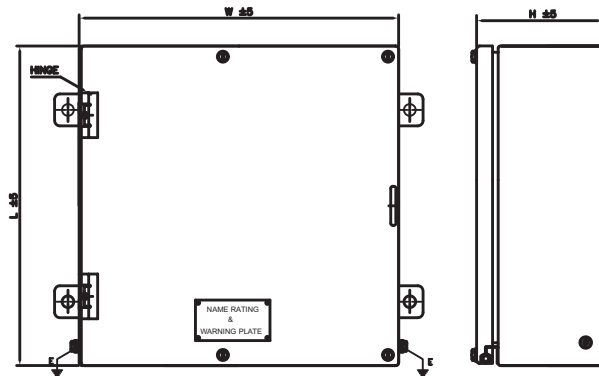
AS PER TABLE BELOW

**D) TERMINALS:**

AS PER TABLE BELOW

**E) RATING:**

AS PER TABLE BELOW



Approval: ATEX

SIZE	DIMENSION ( mm)	ENTRY (Max.)	CLIPON TYPE TERMINALS (Max.)	RATING
JBE SS 15 15 10	150(L) x 150(W) x 100(H)	M25 x 12 Nos.	6 Sq. mm x 10 Nos. .	25A, 500V AC/ 250 V DC
JBE SS 20 20 12	200(L) x 200(W) x 120(H)	M40 x 8 Nos.	6 Sq. mm x 12 Nos.	25A, 500V AC/ 250 V DC
JBE SS 20 30 12	200(L) x 300(W) x 120(H)	M40 x 10 Nos.	10 Sq. mm x 8 Nos.	45A, 550V AC/ 250 V DC
JBE SS 30 30 12	300(L) x 300(W) x 120(H)	M40 x 12 Nos.	95 Sq. mm x 6 Nos.	125A, 550V AC/ 250 V DC
JBE SS 30 40 16	300(L) x 400(W) x 160(H)	M75 x 10 Nos.	95 Sq. mm x 6 Nos.	125A, 550V AC/ 250 V DC
JBE SS 40 50 16	400(L) x 500(W) x 160(H)	M75 x 14 Nos.	95 Sq. mm x 10 Nos.	125A, 550V AC/ 250 V DC
JBE SS 50 60 21	500(L) x 600(W) x 210(H)	M100 x 12 Nos.	120 Sq. mm x 10 Nos.	200A, 550V AC/ 250 V DC
JBE SS 50 75 21	500(L) x 750(W) x 210(H)	M100 x 14 Nos.	120 Sq. mm x 10 Nos.	200A, 550V AC/ 250 V DC
JBE SS 80 100 30	800(L) x 1000(W) x 300(H)	M100 x 24 Nos.	120 Sq. mm x 20 Nos.	200A, 550V AC/ 250 V DC