



SINCE 1974

LIGHT FIXTURE

● TYPE NO. LW 61200 (NON-INTEGRAL WELL GLASS)

A) PROTECTION :

ATEX : II2 GD Ex db IIC T6...T3 Gb
Ex tb IIIC T**°c Db
(-30°C Ta +60°C) IP66

IECEX : Ex db IIC T6...T3 Gb
Ex tb IIIC T**°c Db
(-30°C Ta +60°C) IP66

B) MOC:

CAST ALUMINUM
ALLOY STAINLESS STEEL & CAST IRON

C) ENTRY:

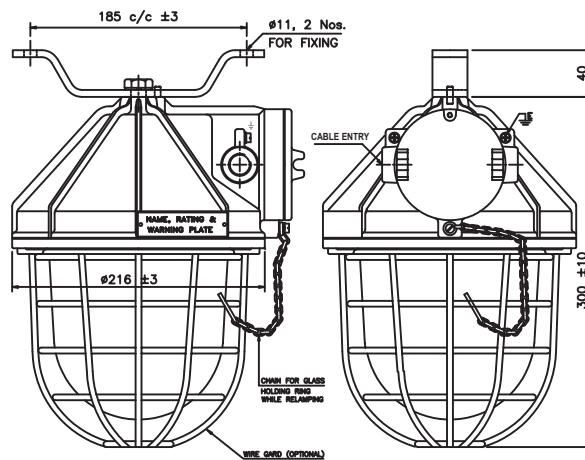
M20 x 2 Nos.

D) SUITABLE LAMP DETAILS:

80/125W HPMV (T4), 70W HPSV (T4),
70/150W MH (T4), 160W MLL (T4),
200W GLS (T4), 2x18/26W CFL (T5),
15W AVIATION (T6)

E) RATING:

250V AC 50/60 Hz.



● TYPE NO. LC 61400 (CONTROL GEAR BOX)

A) PROTECTION :

ATEX : II2 GD Ex db IIC T6...T3 Gb
Ex tb IIIC T**°c Db
(-30°C Ta +60°C) IP66

B) MOC:

CAST ALUMINUM
ALLOY STAINLESS STEEL & CAST IRON

C) ENTRY:

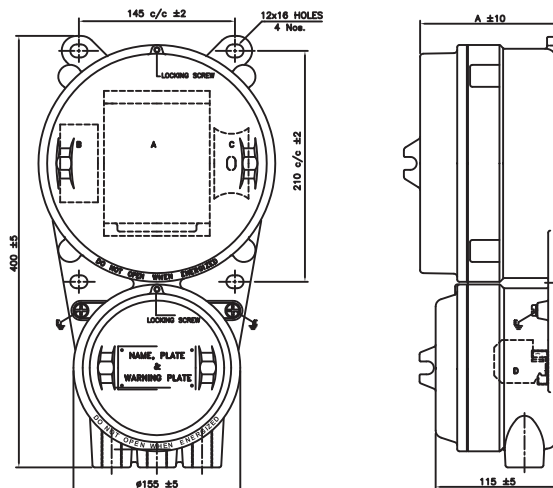
M20 x 3 Nos.

D) SUITABLE LAMP DETAILS:

UPTO 400W HPMV / HPSV / MH LAMP

E) RATING:

UPTO 250V AC 50/60 Hz.



Approval: ATEX



SINCE 1974

● **TYPE NO. LW 61125
(INTEGRAL WELL GLASS)**

A) PROTECTION :

ATEX : II2 GD Ex db IIC T6...T3 Gb
Ex tb IIIC T**°c Db
(-30°c Ta +60°c) IP66

IECEX : Ex db IIC T6...T3 Gb

Ex tb IIIC T**°c Db
(-30°c Ta +60°c) IP66

B) MOC:

CAST ALUMINUM ALLOY,
STAINLESS STEEL & CAST IRON

C) ENTRY:

M20 x 2 Nos.

D) SUITABLE LAMP DETAILS:

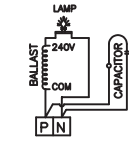
125W HPMV (T4), 70W MH (T4),
80 HPMV (T4), 70 HPMV (T4),
UPTO 75W NEON SPIRAL LAMP (T6),
UPTO 55W FLASHER/ROTATING BECON
LAMP (T6),

E) RATING:

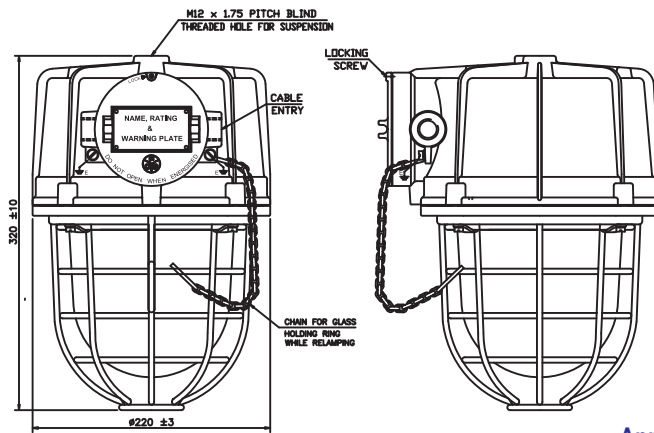
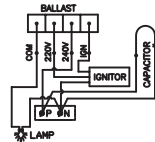
250V AC 50/60 Hz.



WIRING DIAGRAM FOR HPMV LAMP



WIRING DIAGRAM FOR HPS/MH LAMP



Approval: ATEX

● **TYPE NO. LH 61060
(HAND LAMP)**

A) PROTECTION :

ATEX : II2 GD Ex db IIC T6...T3 Gb
Ex tb IIIC T**°c Db
(-30°c Ta +60°c) IP66

B) MOC:

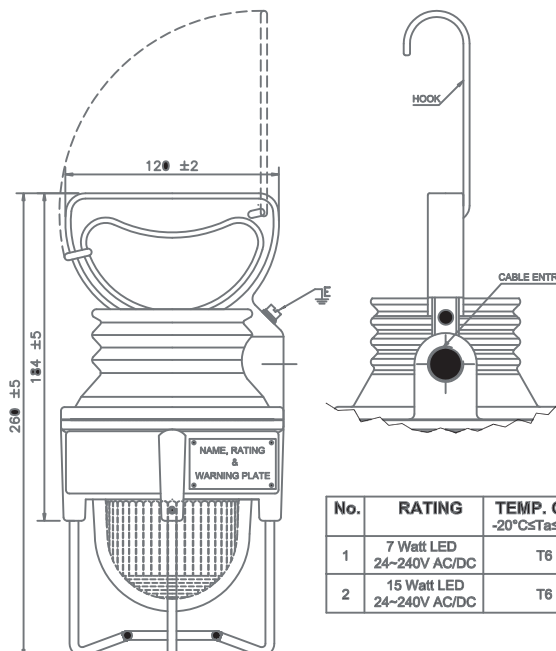
CAST ALUMINUM
ALLOY STAINLESS STEEL & CAST IRON

C) ENTRY:

M20 x 1 No.

E) RATING & TEMP. CLASSIFICATION :

AS PER TABLE



No.	RATING	TEMP. CLASSIFICATION	
		-20°c≤Ta≤+40°c	-20°c≤Ta≤+55°c
1	7 Watt LED 24~240V AC/DC	T6	T5
2	15 Watt LED 24~240V AC/DC	T6	T5

Approval: ATEX



SINCE 1974

● **TYPE NO. NLLK 2010...SERIES
(TUBE LIGHT)**

A) PROTECTION :

ATEX : II2 GD Ex db IIC T6...T3 Gb
Ex tb IIIC T**°c Db
(-30°c Ta +60°c) IP66

IECEX : Ex db IIC T6...T3 Gb
Ex tb IIIC T**°c Db
(-30°c Ta +60°c) IP66

B) MOC:

GLASS REINFORCED POLYESTER

C) ENTRY:

M20 x 2 Nos.

D) SUITABLE LAMP DETAILS:

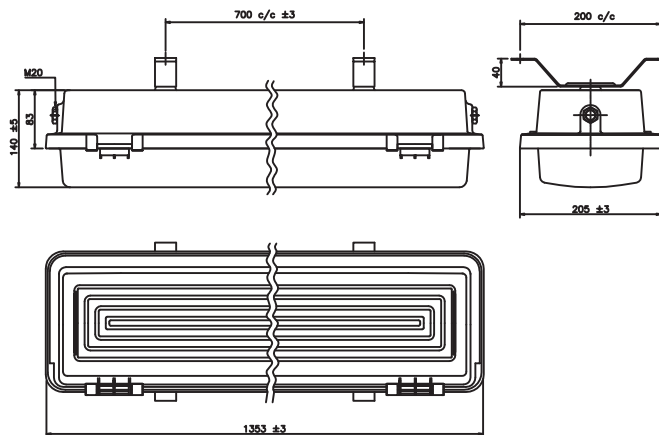
1x36/40W. FTL at 250V. AC
2x36/40W. FTL at 250V. AC
1x18/20W. FTL at 250V. AC
2x18/20W. FTL at 250V. AC
2 x 36W CFL at 250V. AC
1x28W (T5) FTL at 250V. AC
2x28W (T5) FTL at 250V. AC

E) RATING:

0.2A, 240V AC 50/60 Hz.

F) NOTE:

ALSO AVAILABLE WITH EMERGENCY MODE
WITH RECHARGEABLE BATTERY BACK-UP.



Approval:
ATEX / IECEx

● **TYPE NO. AFL 31400
(INTEGRAL FLOOD LIGHT)**

A) PROTECTION :

ATEX : II2 GD Ex db IIC T6...T3 Gb
Ex tb IIIC T**°c Db
(-30°c Ta +60°c) IP66

IECEX : Ex db IIC T6...T3 Gb
Ex tb IIIC T**°c Db
(-30°c Ta +60°c) IP66

B) MOC:

CAST ALUMINUM ALLOY

C) ENTRY:

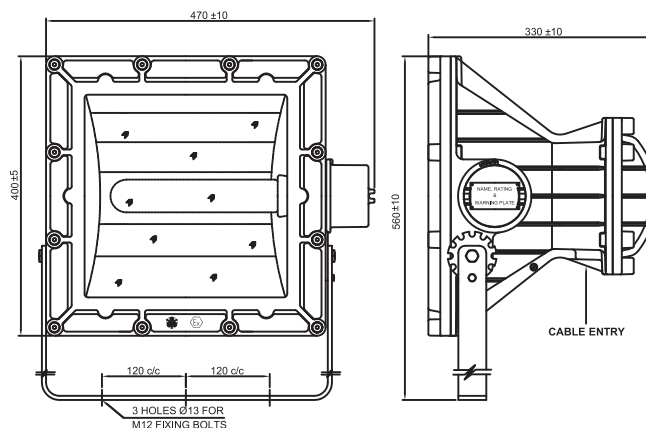
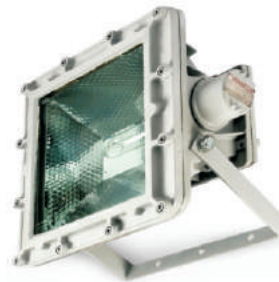
M20 X 1 No.

D) SUITABLE LAMP DETAILS:

250W HPMV, 400W HPMV,
250W HPSV, 400W HPSV,
150W MH, 250W MH,
400W MH, 500W LINEAR / HALOGEN

E) RATING:

240V AC, 50/60Hz



Approval:
ATEX / IECEx / PESO